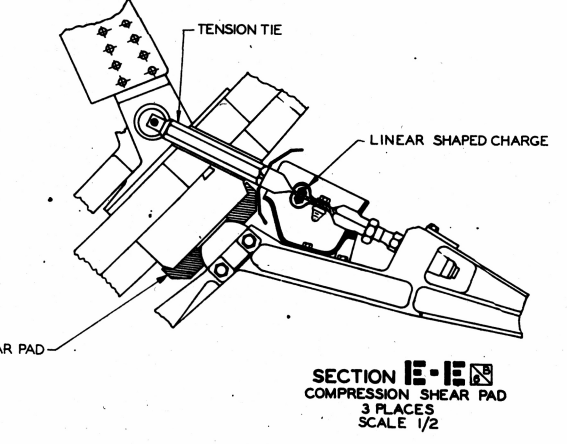
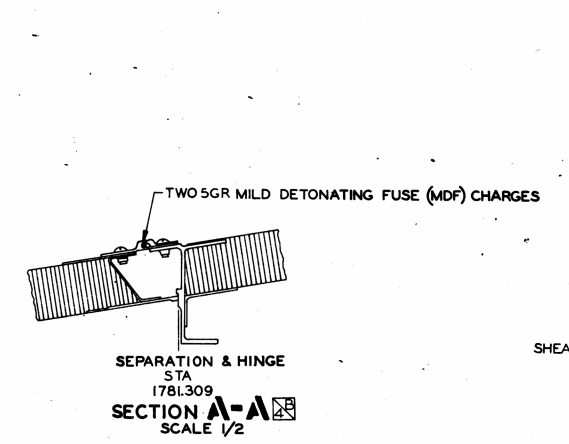
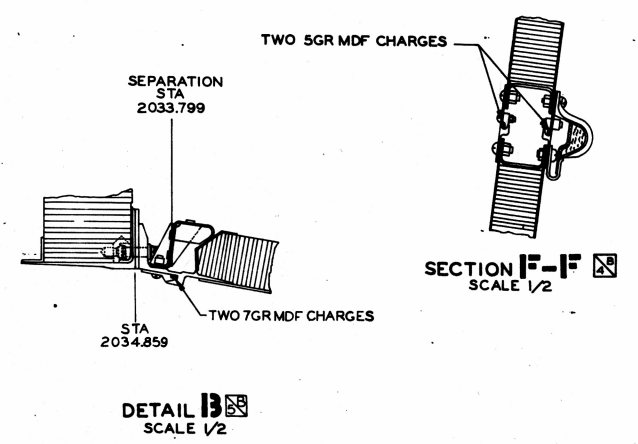
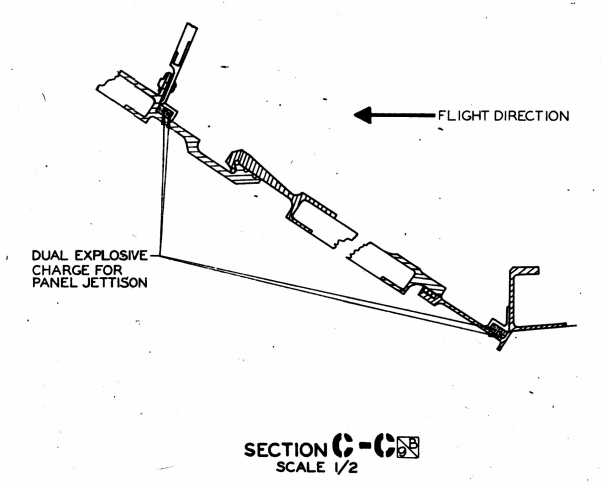
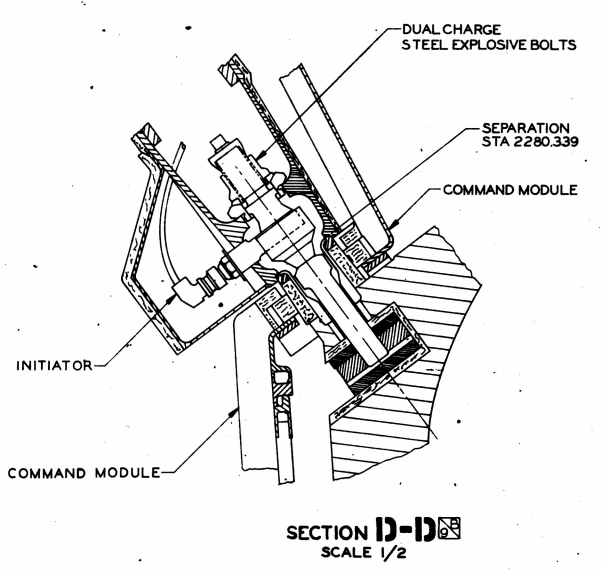
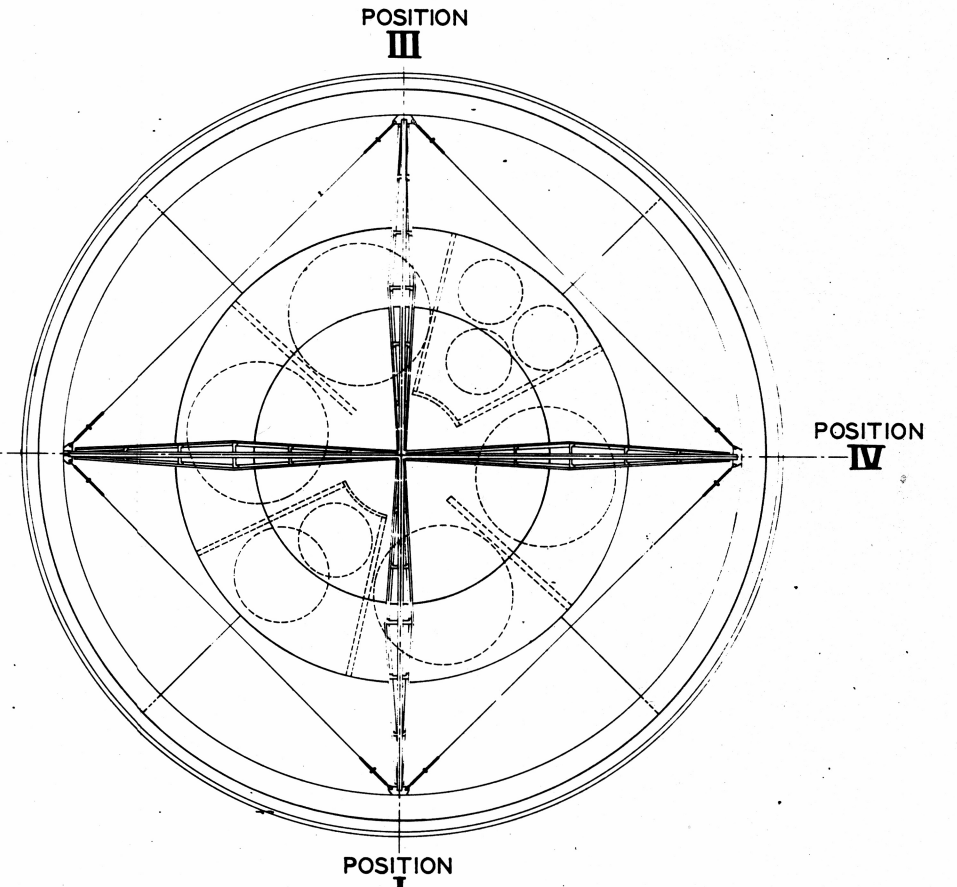
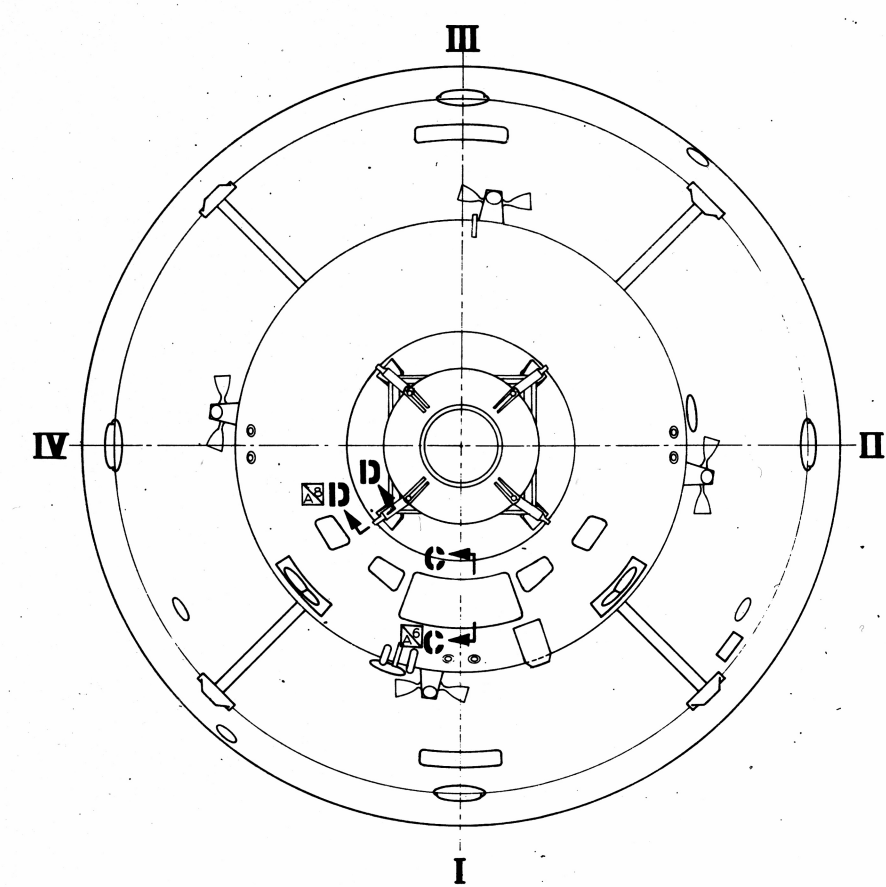
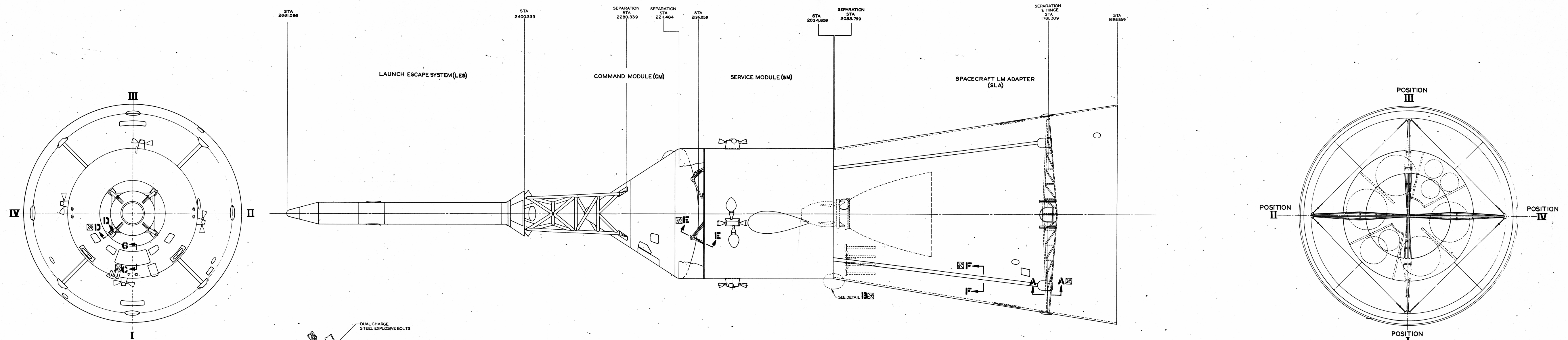


REV.	DATE	DESCRIPTION	BY	APP'D.
A		REMOVED LM AND ASSOCIATED DETAILS AND ADDED CORRECTED FORWARD END VIEW AND RELATED PROJECTIONS		
B		ADDED SECTION F-F		
C		UPDATED CALLOUTS AND ADDED SCALE		



60C00733 1 A

60C00733 1 A

PREPARED FOR THE LAYOUT AND PACKAGING SECTION R-PAVE-VSL REFERENCE INFORMATION FOR AS-207 DATE: DEC 1968 DRAWING NO: 60C00733 SCALE: 1/2 SHEET: 14981	PAYLOAD APOLLO-SATURN AS-207 HAZARDOUS MATERIAL APOLLO-SATURN AS-207 HAZARDOUS MATERIAL APOLLO-SATURN AS-207 HAZARDOUS MATERIAL	60C00733 MOD 281
--	--	---------------------

60C00733A