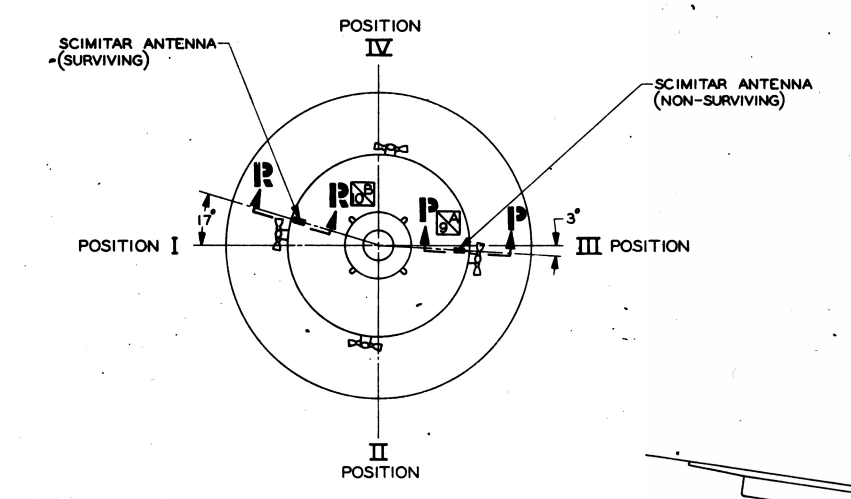
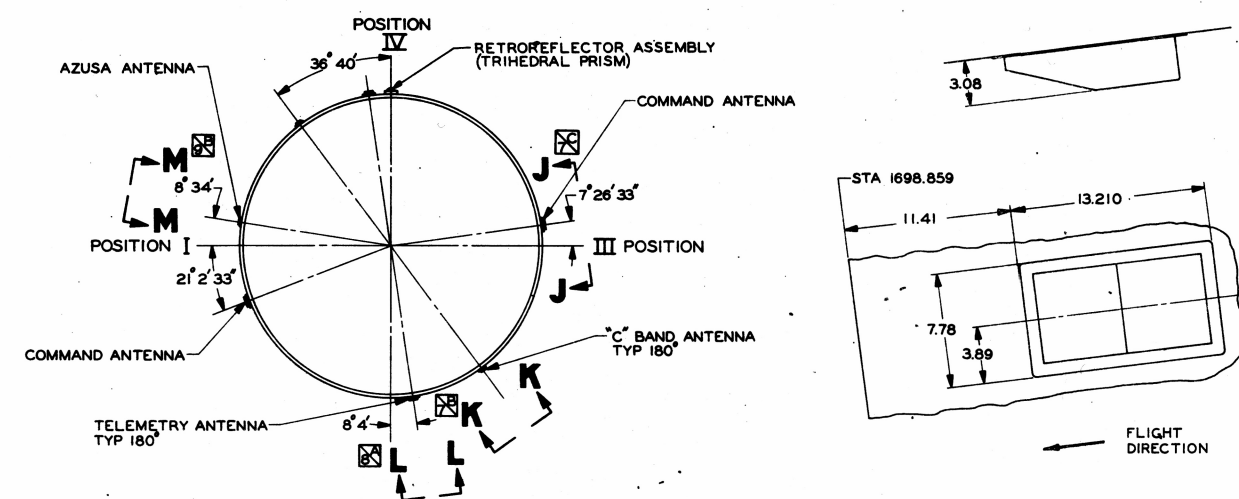


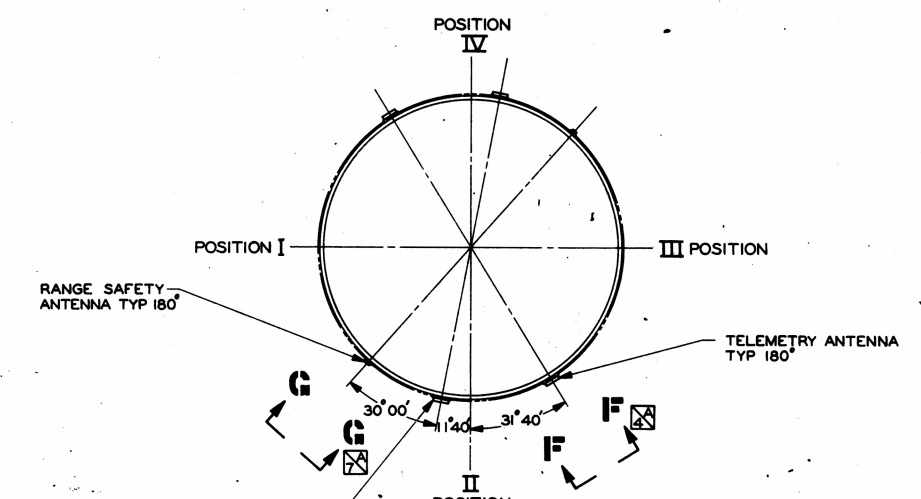
REVISED DIMENSIONS IN VIEW	DATE	BY
M-M, ADDED RETROREFLECTOR		
ADD TO VIEW M-M AND		
ADDED SCALE		



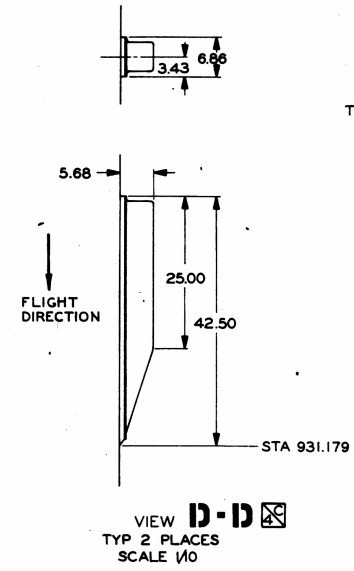
VIEW N-N
SCALE 1/50



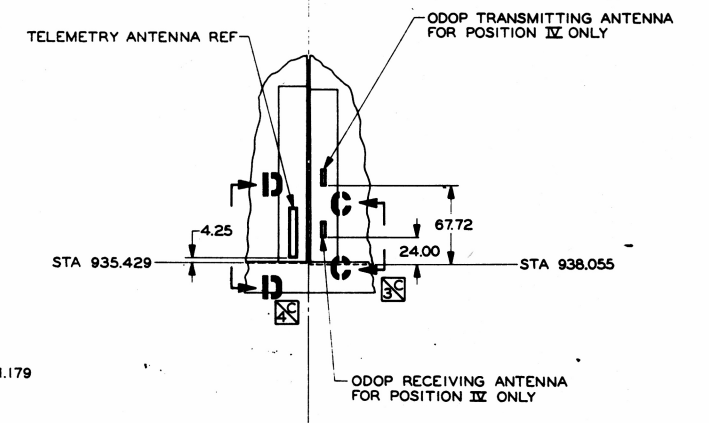
SECTION H-H
SCALE 1/50



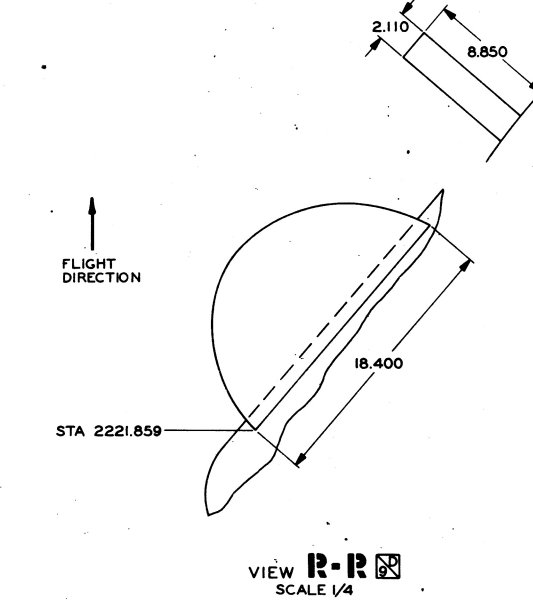
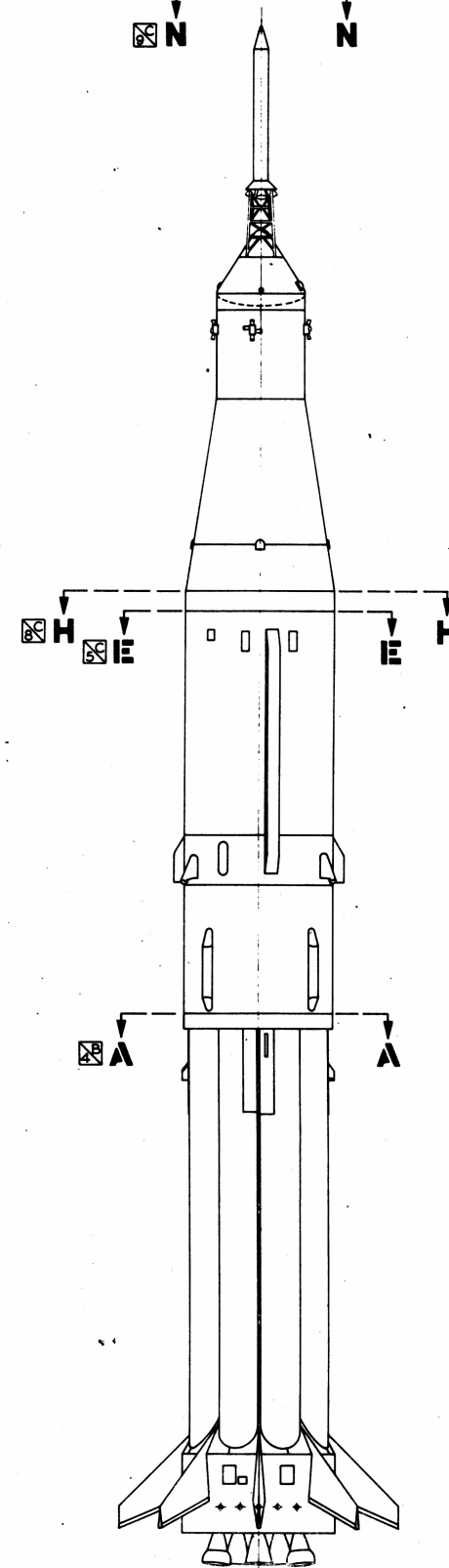
SECTION E-E
SCALE 1/50



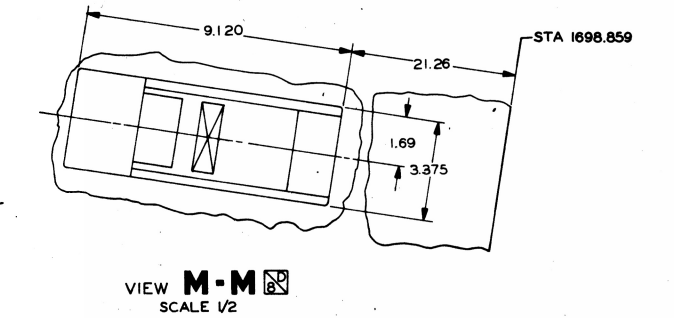
VIEW D-D
TYP 2 PLACES
SCALE 1/40



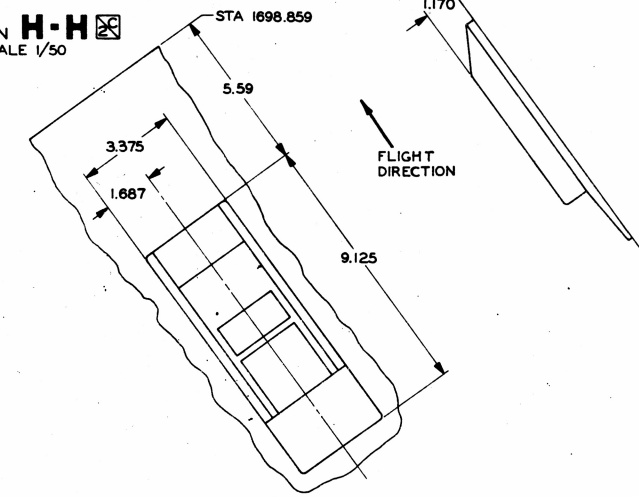
VIEW C-C
TYP 2 PLACES
SCALE 1/4



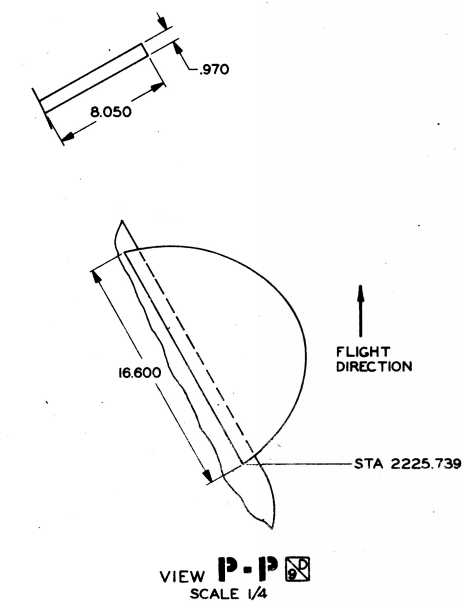
VIEW R-R
SCALE 1/4



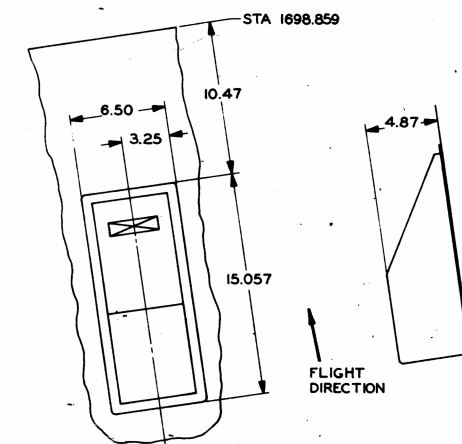
VIEW M-M
SCALE 1/2



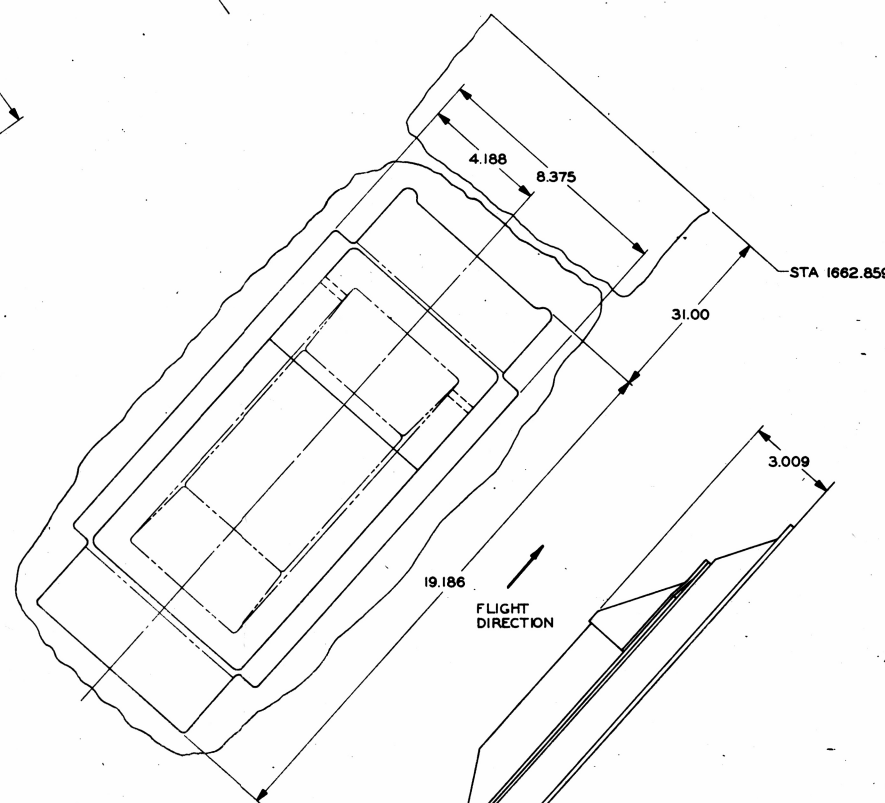
VIEW K-K
TYP 2 PLACES
SCALE 1/2



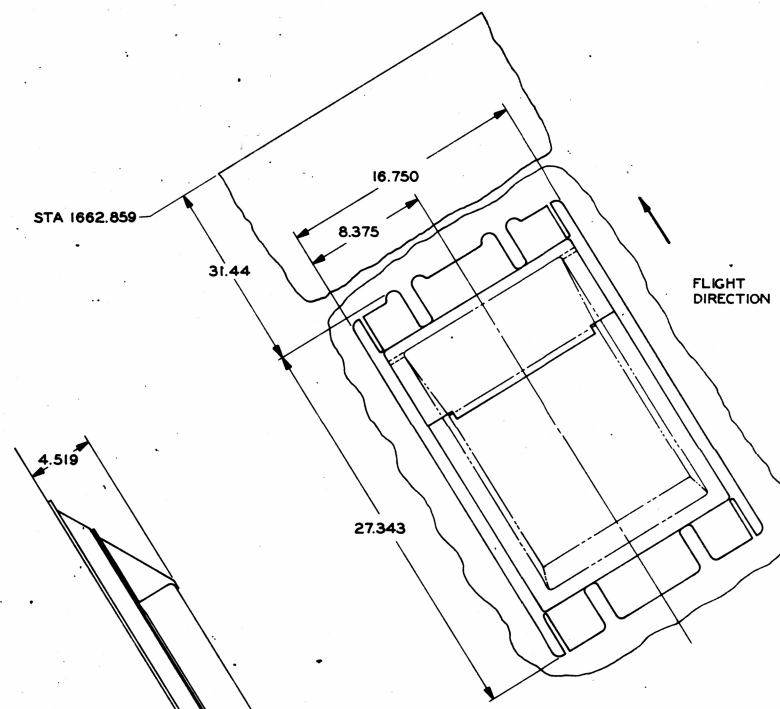
VIEW P-P
SCALE 1/4



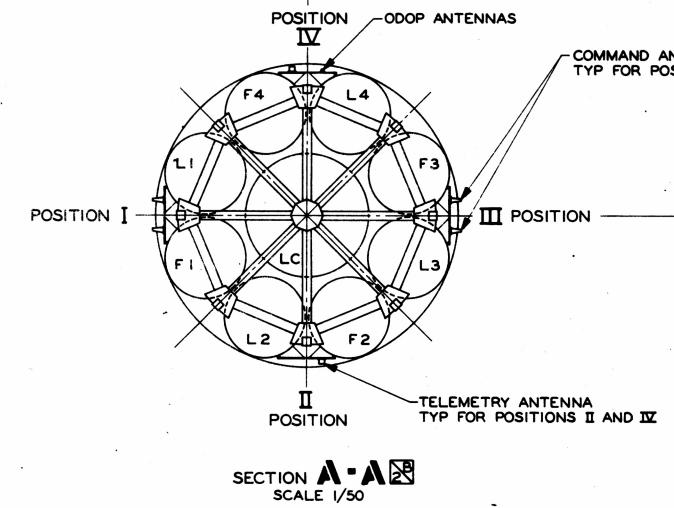
VIEW L-L
TYP 2 PLACES
SCALE 1/4



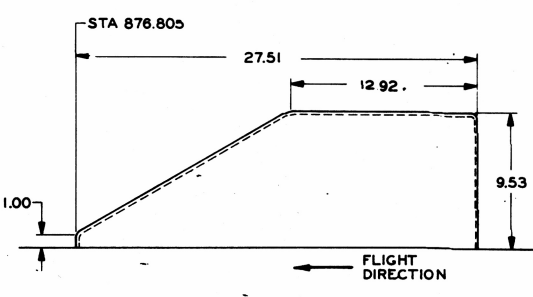
VIEW G-G
TYP 2 PLACES
SCALE 1/2



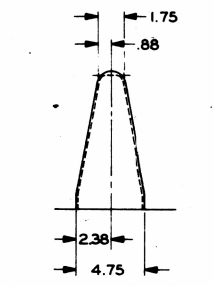
VIEW F-F
TYP 4 PLACES
SCALE 1/4



SECTION A-A
SCALE 1/50



VIEW B-B
TYP 4 PLACES
SCALE 1/4



PREPARED FOR THE LAYOUT AND PACKAGING INFORMATION FOR AS-207	DATE	BY
APOLLO-SATURN VEHICLE ANTENNA ARRANGEMENT		
AS-207		
60C00725		

D
C
B
A

D
C
B
A